

FREEDOM ARMS • FREEDOM WYO. 83120 • 307-883-2468

LIMITED WARRANTY

Freedom Arms, Inc. of One Freedom Lane, P.O. Box 1776, Freedom, Wyoming 83120, hereinafter called "WARRANTOR," hereby warrants to the original retail purchaser, hereinafter called the "PURCHASER," of any firearm manufactured by Freedom Arms, Inc., that each such firearm is free from defects in material and workmanship under normal use and service. This Limited Warranty is extended only to the original retail purchaser of any firearm manufactured by WARRANTOR, and shall be effective only during the ownership of any such firearm by the original retail purchaser. The term "original retail purchaser" means the person who first purchases any such firearm new from a retail dealer, or the person for whom such firearm was purchased, if the purchase was made as a gift. The duration of this Limited Warranty shall expire upon the dispossession of the original retail purchaser of the firearm covered herein.

This Limited Warranty shall not apply to any firearm otherwise covered under the terms of this Limited Warranty which has been altered or modified in any way, or upon which there has been repairs not specifically authorized by WARRANTOR, or which in the opinion of the gunsmiths of WARRANTOR has been the subject of misuse, neglect, negligence, improper care, or accident.

In the event any defect in material or workmanship occurs within the warranty period described above, written notice of such defect must be given to WARRANTOR at its address stated above by PURCHASER within sixty (60) days after the first occurrence of such defect or after such defect was, or with reasonable diligence should have been discovered by PURCHASER, whichever occurs first, and, in any event, not later than sixty (60) days after the expiration of the warranty period described above. Within thirty (30) days after timely receipt by WARRANTOR of the written notice of defect described above, WARRANTOR shall notify PURCHASER of the proper action to take in order to remedy the defect complained of. At the election of WARRANTOR, PURCHASER shall, at his expense, transport the defective firearm to the manufacturing facilities of WARRANTOR at the address stated above, for inspection, repair or replacement by WARRANTOR. All expenses for parts and labor to repair or at the option of WARRANTOR to replace any defective firearm under the terms of this Limited Warranty together with return freight on any defective firearm delivered to WARRANTOR'S manufacturing facility as described above, shall be paid for or provided by and at the expense of WARRANTOR. No defective firearm as described above shall be repaired outside the manufacturing facilities of WARRANTOR at Freedom, Wyoming without specific written authorization by WARRANTOR.

Within thirty (30) days after the original purchase at retail of any firearm to be covered under the terms of this Limited Warranty, the original retail purchaser shall complete and return to WARRANTOR at its address stated above the Owner's Registration Card herewith provided. Compliance by PURCHASER of his obligation to fully complete and return to WARRANTOR the said Owner Registration Card within the time period set forth above, shall be a condition precedent to warranty coverage and performance as described herein.

Failure by the PURCHASER to timely comply with the responsibilities herein imposed upon him shall relieve WARRANTOR of any obligation or liability with regard to any such defect. Any question regarding the procedure necessary to obtain performance of any warranty obligation hereunder may be directed to WARRANTOR at its address stated above or by calling collect the telephone number 1-307-883-2468.

No informal dispute settlement mechanism is provided by this Limited Warranty.

Upon expiration of the warranty period stated above, any and all liability or obligation of WARRANTOR arising from the manufacture, sale, or use of any firearm covered under the terms of this Limited Warranty shall terminate.

Except for the express terms of this Limited Warranty, WARRANTOR assumes no obligations and it authorizes no person to assume for it any other obligation or liability in connection with any firearm manufactured by WARRANTOR.

LIMITATIONS ON IMPLIED WARRANTIES

THIS WRITTEN LIMITED WARRANTY IS MADE EXPRESSLY IN LIEU OF ANY OTHER WARRANTIES, EXPRESS OR IMPLIED IN FACT OR BY LAW, INCLUDING ANY IMPLIED WARRANTY OF MERCHANTABILITY OR FITNESS FOR A PARTICULAR PURPOSE, AND IS IN LIEU OF ANY OTHER OBLIGATION OR LIABILITY ON THE PART OF WARRANTOR TO ANY ONE OF ANY NATURE WHATSOEVER BY REASON OF THE MANUFACTURE AND/OR SALE AND/OR USE OF ANY FIREARM MANUFACTURED BY WARRANTOR. ANY AND ALL IMPLIED WARRANTIES SPECIFICALLY ARISING UNDER AND REQUIRED BY LAW ARE HEREBY EXPRESSLY LIMITED IN DURATION TO THE WARRANTY PERIOD HEREINABOVE DESCRIBED.

SOME STATES DO NOT ALLOW LIMITATIONS ON HOW LONG AN IMPLIED WARRANTY LASTS, SO THE ABOVE LIMITATION MAY NOT APPLY TO YOU.

LIMITATIONS ON INCIDENTAL OR CONSEQUENTIAL DAMAGES

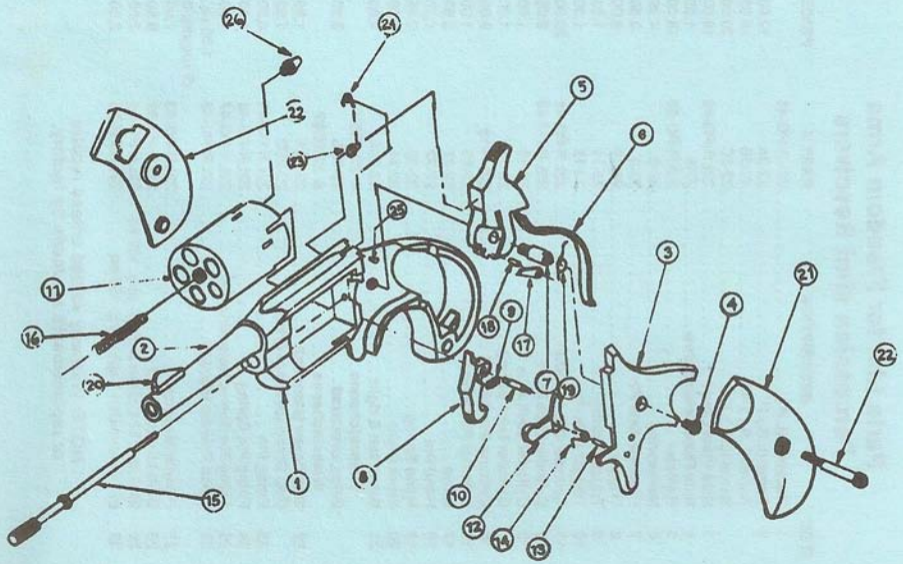
WARRANTOR SHALL IN NO EVENT BE LIABLE TO ANY PURCHASER OR TO ANY OTHER PERSON OR PERSONS FOR SPECIAL, INCIDENTAL, OR CONSEQUENTIAL LOSS OR DAMAGES OR FOR ANY OTHER LOSS OR DAMAGE TO PROPERTY AND/OR INJURY OR DEATH TO PERSONS, OTHER THAN FOR THE REPAIR OR REPLACEMENT OF ANY DEFECTIVE FIREARM AS DESCRIBED HEREIN. IN NO EVENT SHALL THE LIABILITY OF WARRANTOR PURSUANT TO THIS LIMITED WARRANTY EXCEED THE PURCHASE PRICE OF THE FIREARM HEREIN WARRANTIED. NO BILL OF SALE OR TRANSFER OF TITLE TO ANY FIREARM COVERED UNDER THE TERMS OF THIS LIMITED WARRANTY SHALL NULLIFY THESE LIABILITY LIMITATIONS.

SOME STATES DO NOT ALLOW THE EXCLUSION OR LIMITATION OF INCIDENTAL OR CONSEQUENTIAL DAMAGES. SO THE ABOVE LIMITATION OR EXCLUSION MAY NOT APPLY TO YOU.

THIS WARRANTY GIVES YOU SPECIFIC LEGAL RIGHTS, AND YOU MAY ALSO HAVE OTHER RIGHTS WHICH VARY FROM STATE TO STATE.

**FREEDOM ARMS, INC.
FREEDOM, WYOMING**

PATENTED NOS.: 4228606, 4228607, 4228608, AND OTHERS PENDING.



Parts List for Freedom Arms Percussion Mini Revolvers

ITEM	DESCRIPTION	PART #	PRICE
1	Receiver (L.R.)	22LR-PG-46	12.00
2	Barrel (L.R.) 1"	22-3A	16.00
	Barrel (L.R.) 1 1/4"	22-3B	20.00
	Barrel (L.R.) 3"	22-3C	18.00
3	Side Plate Cover	22LR-PG-49	1.00
4	Side Plate Cover Screw	22-6	18.00
5	Hammer	22LR-PG-50	4.00
6	Mainspring	22-8	3.50
7	Hammer Axis Pin	22-9	8.00
8	Trigger	22-10	1.00
9	Trigger Spring	22-11	1.00
10	Trigger Axis Pin	22-12	20.00
11	Cylinder-22L.R. 5 shot	22LR-PG-44	9.00
12	Cylinder Lock (bolt)	22LR-PG-43	1.00
13	Cylinder Lock Axis Pin	22-16	1.00
14	Cylinder Lock Spring	22-17	1.00
15	Cylinder Pin (22L.R.)	22LR-18	9.00
16	Cylinder Pin Spring	22-20	1.00
17	Hand	22-21	3.50
18	Hand Pin	22-22	1.75
19	Hand Spring	22-23	2.25
20	Front Sight	22-24	2.00
21	Grips, left & right	22-25A	4.00
	W/escutcheons	& 22-26/27	
	Grips, oversized	22-25B	6.95
	W/escutcheons	& 22-26/27	
22	Grip Screw (standard)	22-28A	1.50
	Grip Screw (oversize grips)	22-28B	1.50
23	Firing Pin	22LR-PG-45	4.00
24	Firing Pin Spring	22LR-PG-48	1.00
25	Firing Pin Spring Retaining Pin	22LR-PG-47	1.00
26	Black Powder Nipples	22LR-PG-42	1.00 ea. (5 required)
27	Powder Measure	22LR-PG-53	1.00
28	Bullet Setting Tool	22LR-PG-52	9.50
29	29 Grain, 22 Caliber Bullet - pkg. 100 ea.	22LR-PG-54	2.50
30	#11 Percussion Caps - pkg. 100 ea.	22LR-PG-55	2.50

NOTE: Warranty voided unless repairs
or replacements are made by factory.

CONGRATULATIONS! You have purchased a firearm that will give you a lifetime of shooting pleasure and dependability. Please completely familiarize yourself with your revolver and its operation before actual firing.

SAFETY

FOR SAFETY CONSIDERATION, ALL SINGLE ACTION REVOLVERS SHOULD BE CARRIED WITH THE HAMMER DOWN ON AN EMPTY CHAMBER.

Retract your hammer approximately $\frac{1}{4}$ of the way and you will feel it lock into the safety and loading notch. **CAUTION:** This gun must not be dry fired as this will damage the firing pin. With the hammer in this position your revolver is safe for handling and loading. Become proficient in this operation before actually firing, or loading the revolver. As a precaution, the owner of this revolver, as with any revolver, should be aware that a round may be discharged with the cylinder misaligned with the barrel throating. Extra caution should be used when handling this gun due to its diminutive size. Do not remove cylinder over concrete, or any other hard surface. Dropping of cylinder on hard surface could cause a loaded chamber to be discharged.

BLACK POWDER

Black powder is an extremely sensitive propellant and is readily ignited by heat, spark, static electricity, friction, pressure, impact, etc. Unlike smokeless powder, black powder will ignite with great violence and rapidity, even when unconfined.

Black powder should be handled only in very small quantities. The wise shooter never pours directly from a flask or powder horn into his cylinder.

If you are not familiar with safe handling procedures for black powder and percussion firearms in general, you should obtain one of the authoritative percussions loaders' manuals and study it carefully before beginning to shoot.

PERCUSSION CAPS

A percussion cap is a small metal cup, the interior top of which is coated with a priming mixture. This priming mixture is usually covered with a foil or paper liner.

The cap is placed on a nipple and when struck by the hammer, the priming compound explodes, igniting the powder charge. The cap should fit the nipple only tightly enough so that it does not fall off when the cylinder is elevated. Do not attempt to use caps which are too tight, as a premature discharge could result.

EYE PROTECTION

Safety glasses must be used when loading and firing the percussion firearm. Small pieces of the percussion cap are frequently blown away when a percussion arm fires.

POWDER CHARGE

Use 2 grains black powder or Pyrodex. If black powder is unobtainable or difficult to find, 1 grain of Hercules Bullseye Pistol Powder can be used with excellent results. This load should fill the chamber up to the counter bore, leaving room for the bullet to seat against the counterbore.

LOADING

CAUTION: Please read carefully the paragraph entitled SAFETY NOTES if you are not thoroughly familiar with safe handling procedures.

In the interest of both performance and safety, it is important that the steps which follow be performed in sequence and with attention to detail:

To load your revolver the cylinder must first be removed. To accomplish this, first place the hammer in its safety notch, then remove the cylinder lock pin by grasping the knurled knob at the end of the pin and pushing the pin in very slightly, and start rotating. Release pressure on the pin and continue to rotate 180° and pull the pin out. When the pin is free, remove the cylinder by pushing it out of the right side of the revolver.

Before loading, check that all caps are removed from nipples, all chambers are empty, and nipples, bore and chambers are free of dirt, grease, or other debris.

Place a percussion cap on each nipple without loading the chambers. Replace cylinder by rotating cylinder into place from the right side of the revolver so as to engage cylinder lock into cylinder notch (the hammer should be in safety notch position). Replace cylinder pin by inserting with flat portion of the pin locking collar turned toward the gun barrel. Push pin fully into hole and start rotating. Release pressure on pin and continue to rotate 180°. You will feel the pin click into place when you reach the 180° position. You are now ready to cock and fire your revolver. Point the gun in a safe direction and fire all five caps. This is done to ensure that the nipple passage is clear and dry.

Remove spent percussion caps.

Using powder measure furnished with your revolver (holds 2 grains black powder FFFFH, 1.6 grains Pyrodex, or 1 grain Hercules bullseye powder), measure out and pour into each chamber 1 level measure full. Do not overload. Place a Freedom Arms 29 grain, 22 calibre bullet, with flat end down, into each chamber. Using bullet setting tool, also furnished with your revolver, press each bullet into place until shoulder on setting tool contacts top of cylinder as per enclosed drawing. Using one of the commercially available bullet greases, or other stiff grease, apply a generous coating to each chamber mouth (cover bullet so as to seal chamber). This will serve to lubricate the bullet and reduce the possibility of multi-chamber discharge. Place a number 11 pistol cap on each cylinder nipple (the cap should seat completely on nipple with very little finger pressure). If proper caps are used they should not fall off when cylinder is tipped over. When properly installed the cap will be even with, or slightly below, rear face of the cylinder. "CAUTION" — do not install caps before powder and bullet are in place, as cap could be discharged in the bullet setting operation.

FIRING

To fire the revolver, draw the hammer all the way to the rear until it locks in the "full cock" or firing position. (Be certain that the hammer is locked back before releasing it from your finger). Actual firing of the revolver is accomplished by depressing the trigger when the hammer is in the full cock position. Do not dry fire.

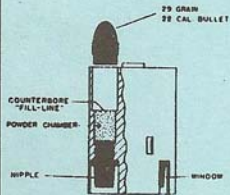
CARE AND CLEANING

The stainless steels used in Freedom Arms revolvers have been selected for their great strength and resistance to the corrosive effects of black powder residue. It is recommended, however, that this revolver be cleaned within a reasonable short period after each use.

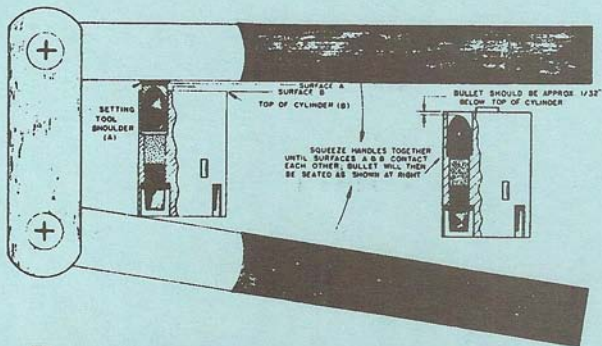
Timely attention to the simple procedures which follow will ensure that your revolver remains in top condition for many years of use:

1. Make sure revolver is unloaded.
2. Remove cylinder from revolver following instructions above.
3. With muzzle pointed down so that water cannot enter the action, flush the barrel from the inside of cylinder frame with warm water, until water runs clean from the muzzle.
4. Using a bristle or brass brush, wetted with a soap and water solution, thoroughly scrub bore to remove all traces of residue. Then flush bore again with very hot water. Dry bore and barrel/frame assembly thoroughly with clean cloth.
5. Thoroughly scrub cylinder and other parts and flush with very hot water. Then wipe dry.
6. Be sure that all gun parts are clean and dry.
7. Oil the bore and all parts thoroughly with a good quality gun oil (clean excess oil from bore with a patch), then reassemble.
8. Special attention should be given to the floating firing pin and cylinder pin. After approximately every 15 rounds fired, place a drop or two of light oil around the firing pin and in the cylinder pin hole in the cylinder. This will keep residue from building up and fouling the operation of the firing pin and cylinder. This is especially important when using black powder due to its corrosive effect on metal. Action should be flushed out with a light penetrating type oil frequently.
9. Side plate screw should be checked frequently for tightness as the jar of firing will tend to loosen the screw, as in any other firearm.

For service or repairs contact: FREEDOM ARMS



NOTE, PUSH BULLET IN BY HAND AT LEAST AS DEEP AS PICTURED IN CENTER ILLUSTRATION BEFORE USING THE BULLET SETTING TOOL



PERCUSSION CAP (NO. 11 PISTOL)



CAP EVEN,
NEVER ABOVE SURFACE
OF CYLINDER
PRESS WITH FINGERS ONLY